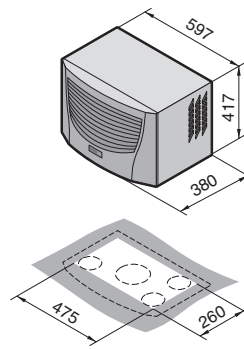


Roof-mounted cooling units

Useful cooling output 500/750 W



Property rights:
 German registered design
 no. 402 02 324
 German registered design
 no. 402 02 325

Supply includes:

Nano-coated condenser and integral electronic condensate evaporation.
 Fully wired ready for connection, including drilling template and assembly parts.



Accessories:

Roof plate for TS 8 with mounting cut-out, see page 718.

Approvals,
 see page 73.

Detailed drawing,
 see page 1277.

Performance diagrams,
 available on the Internet.



Model No. SK with Basic controller, RAL 7035	3382.100	3382.110	3359.100	3359.110	3359.140
Model No. SK with Comfort controller, RAL 7035	3382.500	3382.510	3359.500	3359.510	3359.540
Model No. SK with Basic controller, stainless steel ¹⁾	3382.200	3382.210	3359.200	3359.210	3359.240
Model No. SK with Comfort controller, stainless steel ¹⁾	3382.600	3382.610	3359.600	3359.610	3359.640
Rated operating voltage V, Hz	230, 1~, 50/60	115, 1~, 50/60	230, 1~, 50/60	115, 1~, 50/60	400, 2~, 50/60
Dimensions in mm	WHD 597 x 417 x 380				
Useful cooling output \dot{Q}_K to DIN 3168	L 35 L 35	500 W/510 W	750 W/810 W		
	L 35 L 50	550 W/590 W	270 W/370 W	545 W/590 W	

Rated current max.		3.3 A/3.5 A	6.7 A/7.2 A	3.6 A/4.5 A	7.2 A/9.0 A	2.1 A/2.6 A
Start-up current		9.2 A/10.2 A	18.4 A/18.4 A	10.0 A/10.7 A	20.0 A/21.4 A	5.8 A/6.2 A
Pre-fuse T		10.0 A	10.0 A	10.0 A	16.0 A	6.3 A – 10.0 A ²⁾
Power consumption P_{el} to DIN 3168	L 35 L 35 L 35 L 50	500 W/550 W 550 W/590 W	510 W/560 W 560 W/610 W	550 W/660 W 630 W/740 W	560 W/675 W 640 W/750 W	
Refrigeration factor $\epsilon = \dot{Q}_K/P_{el}$	L 35 L 35	1.0		1.4		
Refrigerant		R134a, 250 g		R134a, 300 g		
Permissible operating pressure p. max.		25 bar				
Temperature and setting range		+20°C to +55°C				
Protection category to EN 60 529/09.2000	External circuit	IP 34				
	Internal circuit	IP 54				
Duty cycle		100 %				
Type of connection		Plug-in terminal strip				
Weight		30 kg	35 kg	32 kg	37 kg	
Air throughput of fans (unimpeded air flow)	External circuit	910 m ³ /h				
	Internal circuit	440 m ³ /h				
Temperature control		Basic or Comfort controller (factory setting +35°C)				

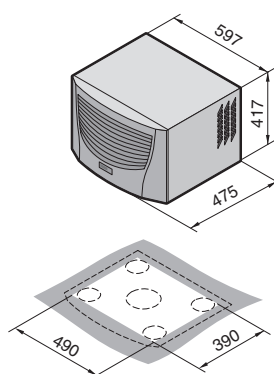
Accessories	Packs of		Page
Filter mats	3	3286.500	723
Metal filters	1	3286.510	724
Quick-change frame	1	3286.700	719
Door-operated switch	1	4127.000	1030
SK bus system for Comfort controller	1	3124.100	717
RiDiag II including cables for Comfort controller	1	3159.100	1154
Interface card for Comfort controller	1	3124.200	716
Air ducting system	1	3286.870	711
Cover stoppers for interior air outlet	2	3286.780	712
Condensate hose	1	3301.612	720

¹⁾ Delivery times available on request. ²⁾ Transformer protection switch.
 Special voltages available on request. We reserve the right to make technical modifications.

Accessories Page 710

Roof-mounted cooling units

Useful cooling output 1000 W



Property rights:

German registered design no. 402 02 324
German registered design no. 402 02 325

Supply includes:

Nano-coated condenser and integral electronic condensate evaporation.
Fully wired ready for connection, including drilling template and assembly parts.



Accessories:

Roof plate for TS 8 with mounting cut-out, see page 718.

Approvals,
see page 73.

Detailed drawing,
see page 1277.

Performance diagrams,
available on the Internet.



Model No. SK with Basic controller, RAL 7035	3383.100	3383.110	3383.140
Model No. SK with Comfort controller, RAL 7035	3383.500	3383.510	3383.540
Model No. SK with Basic controller, stainless steel ¹⁾	3383.200	3383.210	3383.240
Model No. SK with Comfort controller, stainless steel ¹⁾	3383.600	3383.610	3383.640
Rated operating voltage V, Hz	230, 1~, 50/60	115, 1~, 50/60	400, 2~, 50/60
Dimensions in mm	WHD 597 x 417 x 475		
Useful cooling output \dot{Q}_K to DIN 3168	L 35 L 35 L 35 L 50	1000 W/1080 W 760 W/820 W	

Rated current max.	4.9 A/5.1 A	9.5 A/10.0 A	2.8 A/2.8 A
Start-up current	15.5 A/15.5 A	25.3 A/24.3 A	8.0 A/8.8 A
Pre-fuse T	10.0 A	16.0 A	6.3 A – 10.0 A ²⁾
Power consumption P_{el} to DIN 3168	L 35 L 35 L 35 L 50	690 W/790 W 800 W/890 W	720 W/800 W 810 W/900 W
Refrigeration factor $\epsilon = \dot{Q}_K/P_{el}$	L 35 L 35	1.4	
Refrigerant	R134a, 500 g		
Permissible operating pressure p. max.	25 bar		
Temperature and setting range	+20°C to +55°C		
Protection category to EN 60 529/09.2000	External circuit	IP 34	
	Internal circuit	IP 54	
Duty cycle	100 %		
Type of connection	Plug-in terminal strip		
Weight	40 kg	46 kg	46 kg
Air throughput of fans	External circuit	1760 m ³ /h	
	Internal circuit	440 m ³ /h	
Temperature control	Basic or Comfort controller (factory setting +35°C)		

Accessories	Packs of		Page
Filter mats	3	3286.500	723
Metal filters	1	3286.510	724
Quick-change frame	1	3286.800	719
Door-operated switch	1	4127.000	1030
SK bus system for Comfort controller	1	3124.100	717
RiDiag II including cables for Comfort controller	1	3159.100	1154
Interface card for Comfort controller	1	3124.200	716
Air ducting system	1	3286.870	711
Cover stoppers for interior air outlet	2	3286.880	712
Condensate hose	1	3301.612	720

¹⁾ Delivery times available on request. ²⁾ Transformer protection switch.
Special voltages available on request. We reserve the right to make technical modifications.

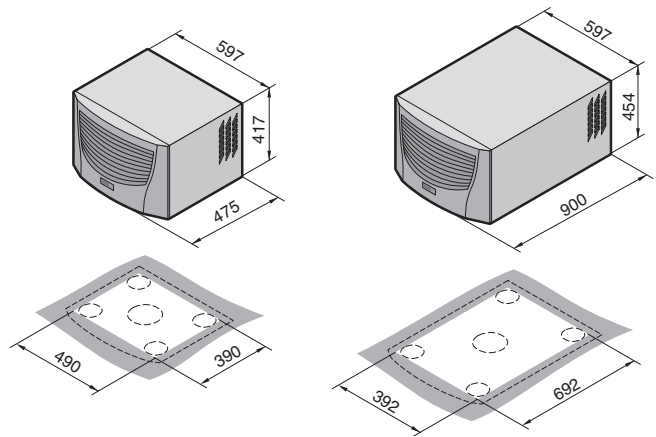
Accessories Page 710

B
4.1

Roof-mounted cooling units

Roof-mounted cooling units

Useful cooling output 1100 W/3000 W



Especially for office applications. Low noise level (considerably quieter than cooling units for industrial applications).

Supply includes: Nano-coated condenser and integral electronic condensate evaporation. Fully wired ready for connection, including drilling template and assembly parts.

Property rights:
(Not with SK 3301.800)
German registered design no. 402 02 324
German registered design no. 402 02 325

+ Accessories:

Roof plate for TS 8 with mounting cut-out, see page 718.

Approvals, see page 73.

Detailed drawing, see page 1277.

Performance diagrams, available on the Internet.



Model No. SK with Comfort controller	3273.500	3273.515 ¹⁾	3301.800
Rated operating voltage V, Hz	230, 1~, 50/60	115, 1~, 50/60	230, 1~, 50
Dimensions in mm WHD	597 x 417 x 475		515 x 400 x 990/597 x 454 x 900
Useful cooling output \dot{Q}_K to DIN 3168	L 35 L 35 L 35 L 50	1100 W/1200 W 850 W/870 W	3100 W/3200 W 2400 W/2550 W

Rated current max.	5.2 A/5.4 A	11.0 A/11.5 A	9.7 A
Start-up current	15.5 A/16.5 A	32.0 A/35.0 A	19.0 A
Pre-fuse T gG	10.0 A	20.0 A	Motor circuit breaker 10.0 A/10.0 A
Power consumption P_{el} to DIN 3168	L 35 L 35 L 35 L 50	890 W/910 W 960 W/1100 W	920 W/940 W 990 W/1140 W
Refrigeration factor $\epsilon = \dot{Q}_K/P_{el}$	L 35 L 35	1.2	3.1
Refrigerant	R134a, 700 g		R134a, 1200 g
Permissible operating pressure p. max.	25 bar		
Temperature and setting range	+20°C to +55°C		
Protection category to EN 60 529/09.2000	External circuit	IP 34	
	Internal circuit	IP 54 ²⁾	
Duty cycle	100 %		
Type of connection	Plug-in terminal strip		
Weight	42 kg	47 kg	72 kg
Colour	RAL 7035		
Air throughput of fans	External circuit	1760 m ³ /h	
	Internal circuit	440 m ³ /h	
		2000 m ³ /h	
		1420 m ³ /h	
Temperature control	Basic or Comfort controller (factory setting +35°C)		

Accessories	Packs of			Page
Filter mats	3	3286.500	3286.600	723
Metal filters	1	3286.510	3286.610	724
Door-operated switch	1	4127.000		1030
SK bus system for Comfort controller	1	3124.100		717
RiDiag II including cables for Comfort controller	1	3159.100		1154
Interface card for Comfort controller	1	3124.200		716
Air ducting system	1	3286.870	3286.970	711
Cover stoppers for interior air outlet	2	3286.880	3286.980	712
Condensate hose	1	3301.612		720

¹⁾ Delivery times on request. ²⁾ In order to avoid increased condensation, we recommend enclosures with a protection category of at least IP 54. Special voltages available on request. We reserve the right to make technical modifications.

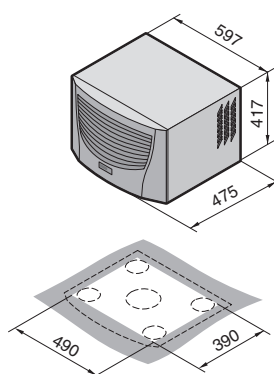
Accessories Page 710

4.1

Roof-mounted cooling units

Roof-mounted cooling units

Useful cooling output 1500/2000 W



Property rights:

German registered design
no. 402 02 324
German registered design
no. 402 02 325

Supply includes:

Nano-coated condenser and integral electronic condensate evaporation. Fully wired ready for connection, including drilling template and assembly parts.



Accessories:

Roof plate for TS 8 with mounting cut-out, see page 718.

Approvals,
see page 73.

Detailed drawing,
see page 1277.

Performance diagrams,
available on the Internet.



Model No. SK with Basic controller, RAL 7035	3384.100	3384.110	3384.140	3385.100	3385.110	3385.140
Model No. SK with Comfort controller, RAL 7035	3384.500	3384.510	3384.540	3385.500	3385.510	3385.540
Model No. SK with Basic controller, stainless steel ¹⁾	3384.200	3384.210	3384.240	3385.200	3385.210	3385.240
Model No. SK with Comfort controller, stainless steel ¹⁾	3384.600	3384.610	3384.640	3385.600	3385.610	3385.640
Rated operating voltage V, Hz	230, 1~, 50/60	115, 1~, 50/60	400, 2~, 50/60	230, 1~, 50/60	115, 1~, 50/60	400, 2~, 50/60
Dimensions in mm	WHD 597 x 417 x 475			597 x 417 x 475		
Useful cooling output \dot{Q}_K to DIN 3168	L 35 L 35 L 35 L 50	1500 W/1520 W 1100 W/1210 W		2000 W/2130 W 1570 W/1670 W		

Rated current max.	6.3 A/7.4 A	13.7 A/15.3 A	3.8 A/4.4 A	6.3 A/7.2 A	14.2 A/15.4 A	3.7 A/4.2 A
Start-up current	16.6 A/17.1 A	30.7 A/29.1 A	9.8 A/9.6 A	16.8 A/18.4 A	36.0 A/32.0 A	10.0 A/12.0 A
Pre-fuse T	10.0 A	20.0 A	6.3 A – 10.0 A ²⁾	10.0 A	20.0 A	6.3 A – 10.0 A ²⁾
Power consumption P_{el} to DIN 3168	L 35 L 35 L 35 L 50	955 W/1070 W 1090 W/1230 W	990 W/1090 W 1140 W/1290 W	1140 W/1310 W 1240 W/1450 W	1190 W/1390 W 1300 W/1520 W	
Refrigeration factor $\epsilon = \dot{Q}_K/P_{el}$	L 35 L 35	1.6	1.5	1.8	1.7	
Refrigerant	R134a, 500 g			R134a, 950 g		
Permissible operating pressure p. max.	25 bar					
Temperature and setting range	+20°C to +55°C					
Protection category to EN 60 529/09.2000	External circuit	IP 34				
	Internal circuit	IP 54				
Duty cycle	100 %					
Type of connection	Plug-in terminal strip					
Weight	41 kg	47 kg	47 kg	42 kg	48 kg	48 kg
Air throughput of fans	External circuit	1760 m ³ /h			1820 m ³ /h	
	Internal circuit	470 m ³ /h				
Temperature control	Basic or Comfort controller (factory setting +35°C)					

Accessories	Packs of		Page
Filter mats	3	3286.500	723
Metal filters	1	3286.510	724
Quick-change frame	1	3286.800	719
Door-operated switch	1	4127.000	1030
SK bus system for Comfort controller	1	3124.100	717
RiDiag II including cables for Comfort controller	1	3159.100	1154
Interface card for Comfort controller	1	3124.200	716
Air ducting system	1	3286.870	711
Cover stoppers for interior air outlet	2	3286.880	712
Condensate hose	1	3301.612	720

¹⁾ Delivery times available on request. ²⁾ Transformer protection switch.
Special voltages available on request. We reserve the right to make technical modifications.

Accessories Page 710

B
4.1

Roof-mounted cooling units