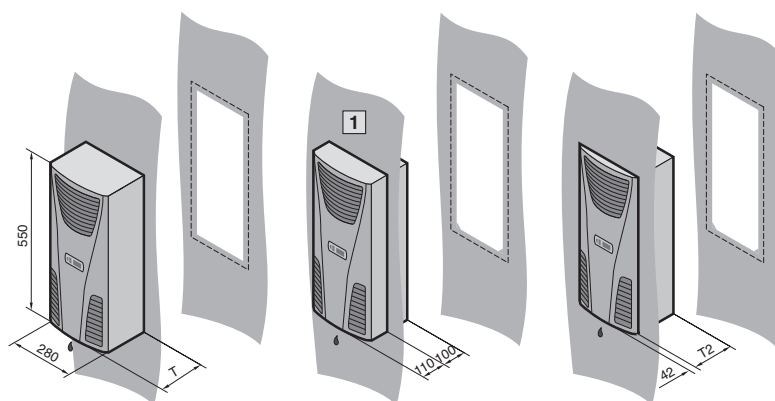


Wall-mounted cooling units

Useful cooling output 300/500 W



B = Width
T = Depth

Supply includes:

Nano-coated condenser. Fully wired ready for connection, including drilling template and assembly parts.

1 Partial internal mounting possible with 3303.XXX only.

Approvals,
see page 75.

Detailed drawing,
see page 1278.

Performance diagrams,
available on the Internet.

Property rights:

German registered design no. 402 02 324 and no. 402 02 325
Japanese registered design no. 1 187 896
Indian registered design no. 189 953
US design patent no. D 488,480
IR reg. design no. DM/061 967
with validity for FR, IT, ES



Model No. SK with Basic controller, RAL 7035	3302.100	3302.110	3303.100	3303.110
Model No. SK with Comfort controller, RAL 7035	–	–	3303.500	3303.510
Model No. SK with Basic controller, stainless steel ¹⁾	3302.200	3302.210	3303.200	3303.210
Model No. SK with Comfort controller, stainless steel ¹⁾	–	–	3303.600	3303.610
Rated operating voltage V, Hz	230, 1~, 50/60	115, 1~, 60	230, 1~, 50/60	115, 1~, 60
Dimensions in mm	B	280	280	280
	H	550	550	550
	T	140	210	210
	T2	98	164	164
Useful cooling output \dot{Q}_K to DIN 3168	L 35 L 35	300 W/320 W	300 W	500 W/610 W
	L 35 L 50	150 W/170 W	150 W	280 W/350 W
500 W	280 W			

Rated current max.	1.6 A/1.7 A	3.3 A	2.6 A/2.6 A	5.7 A
Start-up current	3.0 A/3.4 A	8.0 A	5.1 A/6.4 A	11.5 A
Pre-fuse T	10.0 A	10.0 A	10.0 A	10.0 A
Power consumption P_{el} to DIN 3168	L 35 L 35	245 W/255 W	290 W	360 W/380 W
	L 35 L 50	255 W/275 W	340 W	420 W/390 W
Refrigeration factor $\epsilon = \dot{Q}_K/P_{el}$	L 35 L 35	1.2	1.4	
Refrigerant		R134a, 100 g		R134a, 170 g
Permissible operating pressure p. max.		25 bar		28 bar
Temperature and setting range		+20°C to +55°C		
Protection category to EN 60 529/09.2000	External circuit	IP 34		
	Internal circuit	IP 54		
Duty cycle		100 %		
Type of connection		Plug-in terminal strip		
Weight		13 kg		17 kg
Air throughput of fans	External circuit	310 m³/h		345 m³/h
	Internal circuit	345 m³/h		310 m³/h
Temperature control		Basic or Comfort controller (factory setting +35°C)		

Accessories	Packs of		Page
Filter mats	3	3286.300	723
Metal filters	1	3286.310	724
Door-operated switch	1	4127.000	1030
SK bus system for Comfort controller	1	–	3124.100
RiDiag II including cables for Comfort controller	1	–	3159.100
Interface card for Comfort controller	1	–	3124.200
Condensate hose	1	3301.608	3301.610
			720

¹⁾ Delivery times available on request.
Special voltages available on request. We reserve the right to make technical modifications.

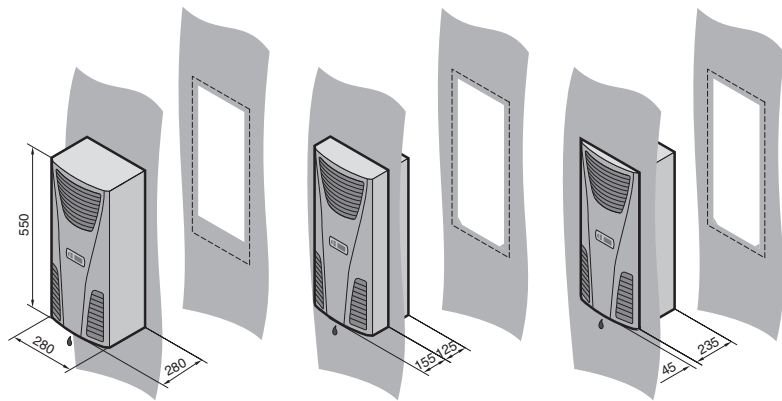
Accessories Page 710 Configuration software Page 1155

B
4.1

Wall-mounted cooling units

Wall-mounted cooling units

Useful cooling output 750 W



Supply includes:
Nano-coated condenser. Fully wired ready for connection, including drilling template and assembly parts.

Approvals,
see page 75.

Detailed drawing,
see page 1278.

Performance diagrams,
available on the Internet.

Property rights:

German registered design no. 402 02 324 and no. 402 02 325
Japanese registered design no. 1 187 896
Indian registered design no. 189 953
US design patent no. D 488,480
IR reg. design no. DM/061 967
with validity for FR, IT, ES



B
4.1

Wall-mounted cooling units

Model No. SK with Basic controller, RAL 7035	3361.100	3361.110	3361.140
Model No. SK with Comfort controller, RAL 7035	3361.500	3361.510	3361.540
Model No. SK with Basic controller, stainless steel ¹⁾	3361.200	3361.210	3361.240
Model No. SK with Comfort controller, stainless steel ¹⁾	3361.600	3361.610	3361.640
Rated operating voltage V, Hz	230, 1~, 50/60 ³⁾	115, 1~, 60 ³⁾	400 ²⁾ , 2~, 50/60 ³⁾
Dimensions in mm	W 280 H 550 D 280		
Useful cooling output \dot{Q}_K to DIN 3168	L 35 L 35 L 35 L 50	750 W/780 W 510 W/540 W	750 W/780 W 510 W/540 W
Rated current max.	2.3 A/2.4 A	5.3 A	1.2 A/1.4 A
Start-up current	5.6 A/5.6 A	12.0 A	3.1 A/3.3 A
Pre-fuse T	10.0 A	10.0 A	6.3 A – 10.0 A ⁴⁾
Power consumption P_{el} to DIN 3168	L 35 L 35 L 35 L 50	480 W/550 W 570 W 670 W	480 W/550 W 530 W/640 W
Refrigeration factor $\epsilon = \dot{Q}_K/P_{el}$	L 35 L 35	1.5	
Refrigerant	R134a, 280 g	R134a, 260 g	R134a, 280 g
Permissible operating pressure p. max.	28 bar		
Temperature and setting range	+20°C to +55°C		
Protection category to EN 60 529/09.2000	External circuit IP 34	Internal circuit IP 54	
Duty cycle	100 %		
Type of connection	Plug-in terminal strip		
Weight	22 kg		
Air throughput of fans (unimpeded air flow)	External circuit 480 m ³ /h	Internal circuit 600 m ³ /h	
Temperature control	Basic or Comfort controller (factory setting +35°C)		
Accessories	Packs of		Page
Filter mats	3	3286.300	723
Metal filters	1	3286.310	724
Door-operated switch	1	4127.000	1030
SK bus system for Comfort controller	1	3124.100	717
RiDiag II including cables for Comfort controller	1	3159.100	1154
Interface card for Comfort controller	1	3124.200	716
Condensate hose	1	3301.610	720

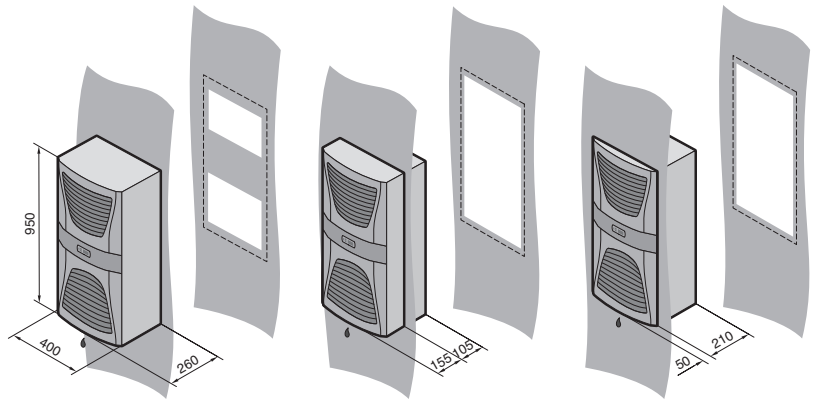
¹⁾ Delivery times on request. ²⁾ External toroidal core transformer \varnothing 126 x 65 mm deep for mounting in the enclosure. ³⁾ T_u max. = 52°C/60 Hz.

⁴⁾ Transformer protection switch.

Special voltages available on request. Technical modifications reserved.

Wall-mounted cooling units

Useful cooling output 1000/1500 W



Supply includes:

Nano-coated condenser and integral electronic condensate evaporation. Fully wired ready for connection, including drilling template and assembly parts.

Approvals,
see page 75.

Detailed drawing,
see page 1279.

Performance diagrams,
available on the Internet.

Property rights:

German registered design
no. 402 02 325
IR reg. design no. DM/062 557
with validity for FR, IT, ES
Indian registered design
no. 190 269
Japanese registered design
no. 1 187 905



Model No. SK with Basic controller, RAL 7035	3304.100	3304.110	3304.140	3305.100	3305.110	3305.140
Model No. SK with Comfort controller, RAL 7035	3304.500	3304.510	3304.540	3305.500	3305.510 ¹⁾	3305.540
Model No. SK with Basic controller, stainless steel ¹⁾	3304.200	3304.210	3304.240	3305.200	3305.210	3305.240
Model No. SK with Comfort controller, stainless steel ¹⁾	3304.600	3304.610	3304.640	3305.600	3305.610	3305.640
Rated operating voltage V, Hz	230, 1~, 50/60	115, 1~, 50/60	400, 3~, 50/460, 3~, 60	230, 1~, 50/60	115, 1~, 50/60	400, 3~, 50/460, 3~, 60
Dimensions in mm	W 400 H 950 D 260			400 950 260		
Useful cooling output \dot{Q}_k to DIN 3168	L 35 L 35 L 35 L 50	1000 W/1060 W 790 W/840 W		1500 W/1510 W 1230 W/1250 W		

Rated current max.	5.4 A/5.0 A	10.6 A/11.1 A	2.8 A/2.9 A	6.0 A/6.5 A	12.1 A/13.6 A	2.6 A/2.9 A
Start-up current	12.0 A/14.0 A	26.0 A/28.0 A	11.5 A/12.7 A	22.0 A/24.0 A	42.0 A/46.0 A	12.2 A/11.3 A
Pre-fuse T	10.0 A	16.0 A	6.3 A – 10.0 A ²⁾	16.0 A	20.0 A	6.3 A – 10.0 A ²⁾
Power consumption P_{el} to DIN 3168	L 35 L 35 L 35 L 50	825 W/775 W 875 W/835 W	850 W/800 W 900 W/875 W	700 W/675 W 785 W/800 W	975 W/1125 W 1125 W/1285 W	1000 W/1175 W 1165 W/1325 W
Refrigeration factor $\epsilon = \dot{Q}_k/P_{el}$	L 35 L 35	1.2		1.4	1.5	1.6
Refrigerant		R134a, 325 g		R134a, 500 g	R134a, 600 g	
Permissible operating pressure p. max.		25 bar				
Temperature and setting range		+20°C to +55°C				
Protection category to EN 60 529/09.2000	External circuit	IP 34				
	Internal circuit	IP 54				
Duty cycle		100 %				
Type of connection		Plug-in terminal strip				
Weight		39 kg	44 kg	40 kg	41 kg	46 kg
Air throughput of fans	External circuit	900 m ³ /h				
	Internal circuit	600 m ³ /h			800 m ³ /h	
Temperature control		Basic or Comfort controller (factory setting +35°C)				

Accessories	Packs of		Page
Filter mats	3	3286.400	723
Metal filters	1	3286.410	724
Door-operated switch	1	4127.000	1030
SK bus system for Comfort controller	1	3124.100	717
RiDiag II including cables for Comfort controller	1	3159.100	1154
Interface card for Comfort controller	1	3124.200	716
Condensate hose	1	3301.612	720

¹⁾ Delivery times available on request. ²⁾ Motor circuit-breaker.
Special voltages available on request. We reserve the right to make technical modifications.

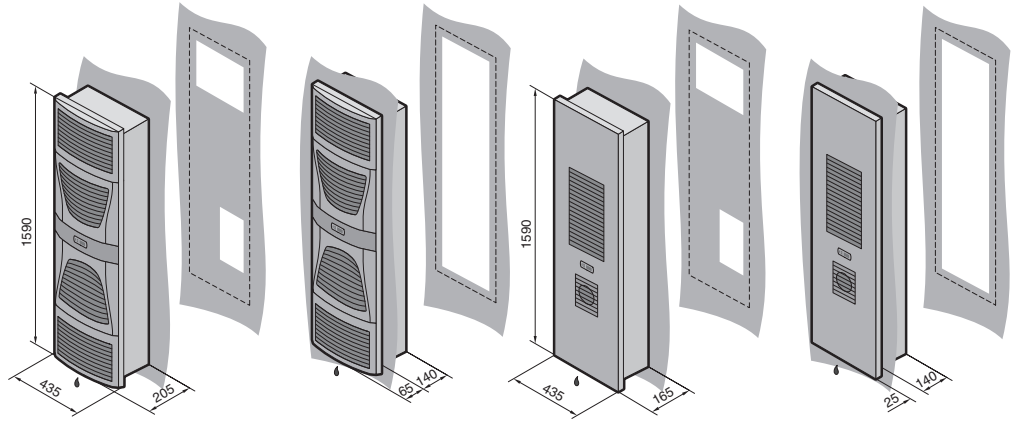
Accessories Page 710 Configuration software Page 1155

B
4.1

Wall-mounted cooling units

Wall-mounted cooling units

Slimline, useful cooling output 1500 W



- Simple, fast assembly without the need to drill additional holes
- Ideal for restricted mounting locations
- Super-slimline design
- Minimal installation depth and build height.

Supply includes:
Nano-coated condenser and integral electronic condensate evaporation. Fully wired ready for connection, including drilling template and assembly parts.

Approvals,
see page 75.

Detailed drawing,
see page 1280.

Performance diagrams,
available on the Internet.



Model No. SK with Basic controller, RAL 7035	3366.100	3377.100 ¹⁾	3366.110	3377.110 ¹⁾	3366.140	3377.140 ¹⁾
Model No. SK with Comfort controller, RAL 7035	3366.500	3377.500 ¹⁾	3366.510	3377.510 ¹⁾	3366.540	3377.540 ¹⁾
Model No. SK with Basic controller, stainless steel	3366.200 ¹⁾	3377.200 ¹⁾	3366.210 ¹⁾	3377.210 ¹⁾	3366.240 ¹⁾	3377.240 ¹⁾
Model No. SK with Comfort controller, stainless steel	3366.600 ¹⁾	3377.600 ¹⁾	3366.610 ¹⁾	3377.610 ¹⁾	3366.640 ¹⁾	3377.640 ¹⁾
Rated operating voltage V, Hz	230, 1~, 50/60		115, 1~, 50/60		400, 3~, 50/460, 3~, 60	
Dimensions in mm	W	435	435	435	435	435
	H	1590	1590	1590	1590	1590
	D	205	165	205	165	205
Useful cooling output \dot{Q}_K to DIN 3168	L 35 L 35	1500 W/1500 W	L 35 L 35	1050 W/1100 W	L 35 L 35	1500 W/1500 W
	L 35 L 50	1050 W/1100 W			L 35 L 50	980 W/1080 W

Rated current max.	7.1 A/7.3 A		14.3 A/14.7 A		3.0 A/3.1 A	
Start-up current	22.0 A/24.0 A		43.0 A/47.0 A		8.0 A/8.8 A	
Pre-fuse T	10.0 A		20.0 A		6.3 A – 10.0 A ²⁾	
Power consumption P_{el} to DIN 3168	L 35 L 35	1045 W/1175 W	L 35 L 35	1075 W/1200 W	L 35 L 35	1090 W/1240 W
	L 35 L 50	1220 W/1335 W		1265 W/1375 W	L 35 L 50	1260 W/1430 W
Refrigeration factor $\epsilon = \dot{Q}_K/P_{el}$	L 35 L 35	1.4			L 35 L 35	1.3
Refrigerant	R134a, 700 g					
Permissible operating pressure p. max.	28 bar					
Temperature and setting range	+20°C to +55°C					
Protection category to EN 60 529/09.2000	External circuit	IP 34				
	Internal circuit	IP 54				
Duty cycle	100 %					
Type of connection	Plug-in terminal strip					
Weight	45 kg		50 kg		46 kg	
Air throughput of fans (unimpeded air flow)	External circuit	910 m ³ /h				
	Internal circuit	860 m ³ /h				
Temperature control	Basic or Comfort controller (factory setting +35°C)					

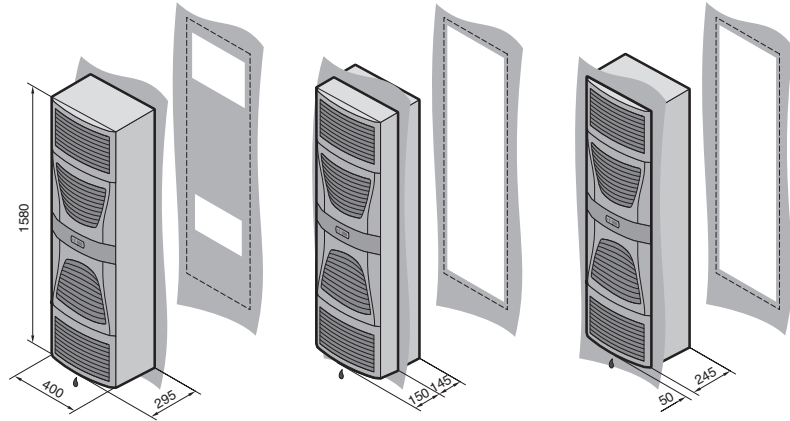
Accessories	Packs of						Page	
Filter mats	3	3286.400	3253.010	3286.400	3253.010	3286.400	3253.010	723
Metal filters	1	3286.410	3253.220	3286.410	3253.220	3286.410	3253.220	724
Trim frame for external device mounting	1	3377.000					719	
Door-operated switch	1	4127.000					1030	
SK bus system for Comfort controller	1	3124.100					717	
RiDiag II including cables for Comfort controller	1	3159.100					1154	
Interface card for Comfort controller	1	3124.200					716	
Condensate hose	1	3301.612					720	

¹⁾ Delivery times available on request. ²⁾ Motor circuit-breaker. Special voltages available on request. Technical modifications reserved.

Accessories Page 710 **Configuration software** Page 1155

Wall-mounted cooling units

Useful cooling output 2000/2500 W



Supply includes:

Nano-coated condenser and integral electronic condensate evaporation. Fully wired ready for connection, including drilling template, eyebolt and assembly parts.



Also required:

For installation in the door, we recommend the use of the ride-up roller and 180° hinges (TS 8800.710), see page 961, and for use in the side panel we recommend the use of the TS enclosure panel fasteners (TS 8800.071), see page 918.

Approvals,
see page 75.

Detailed drawing,
see page 1279.

Performance diagrams,
available on the Internet.



Model No. SK with Basic controller, RAL 7035	3328.100	3328.110	3328.140	3329.100	3329.110	3329.140
Model No. SK with Comfort controller, RAL 7035	3328.500	3328.510	3328.540	3329.500	3329.510	3329.540
Model No. SK with Basic controller, stainless steel ¹⁾	3328.200	3328.210	3328.240	3329.200	3329.210	3329.240
Model No. SK with Comfort controller, stainless steel ¹⁾	3328.600	3328.610	3328.640	3329.600	3329.610	3329.640
Rated operating voltage V, Hz	230, 1~, 50/60	115, 1~, 50/60	400, 3~, 50/460, 3~, 60	230, 1~, 50/60	115, 1~, 50/60	400, 3~, 50/460, 3~, 60
Dimensions in mm	W 400 H 1580 D 295			400 1580 295		
Useful cooling output \dot{Q}_k to DIN 3168	L 35 L 35 L 35 L 50	2000 W/2350 W 1450 W/1690 W		2500 W/2750 W 1600 W/1750 W		2500 W/2700 W 1900 W/1950 W

Rated current max.	7.5 A/9.1 A	14.7 A/17.3 A	2.8 A/3.3 A	8.6 A/10.6 A	17.0 A/22.0 A	3.7 A/3.8 A
Start-up current	22.0 A/26.0 A	36.0 A/39.0 A	6.8 A/7.8 A	21.0 A/21.0 A	44.0 A/42.0 A	6.8 A/7.6 A
Pre-fuse T	16.0 A	25.0 A	6.3 A – 10.0 A ²⁾	16.0 A	25.0 A	6.3 A – 10.0 A ²⁾
Power consumption P_{el} to DIN 3168	L 35 L 35 L 35 L 50	1025 W/1200 W 1250 W/1350 W	1085 W/1250 W 1300 W/1410 W	1050 W/1275 W 1275 W/1525 W	1450 W/1675 W 1625 W/2000 W	1500 W/1725 W 1675 W/2065 W
Refrigeration factor $\epsilon = \dot{Q}_k/P_{el}$	L 35 L 35	2.0	1.8	1.9	1.7	1.8
Refrigerant	R134a, 950 g					
Permissible operating pressure p. max.	28 bar					
Temperature and setting range	+20°C to +55°C					
Protection category to EN 60 529/09.2000	External circuit	IP 34				
	Internal circuit	IP 54				
Duty cycle	100 %					
Type of connection	Plug-in terminal strip					
Weight	66 kg	73 kg	67 kg	69 kg	76 kg	70 kg
Air throughput of fans	External circuit	640 m ³ /h			710 m ³ /h	
	Internal circuit	550 m ³ /h			640 m ³ /h	
Temperature control	Basic or Comfort controller (factory setting +35°C)					

Accessories	Packs of		Page
Filter mats	3	3286.400	723
Metal filters	1	3286.410	724
Door-operated switch	1	4127.000	1030
SK bus system for Comfort controller	1	3124.100	717
RiDiag II including cables for Comfort controller	1	3159.100	1154
Interface card for Comfort controller	1	3124.200	716
Condensate hose	1	3301.612	720

¹⁾ Delivery times available on request. ²⁾ Motor circuit-breaker. Special voltages available on request. Technical modifications reserved.

Accessories Page 710 **Configuration software** Page 1155

B
4.1

Wall-mounted cooling units