



Fan-and-filter units are ideal for dissipating heat loads cost-effectively. The pre-requisite is that the ambient air must be relatively clean and with a temperature below the desired enclosure internal temperature.

The entire range of fan-and-filter units is now also available with EMC shielding and all required rated voltages.

Fast assembly



Super-fast clip-on mounting

This guarantees fast, completely secure attachment of the fan-and-filter unit. The pre-requisites for protection category IP 54 are met as standard.

Screws are not required.

Removal of the louvred grille, likewise without any screws, means that filter mat changes can be achieved in next to no time.

Draw-in or extract?

The air direction may be quickly reversed from draw-in (default setting) to extracting. Simply rotate the fan through 180°.



Application diversity and functions



Not always full power!

At lower ambient temperatures, the air throughput may be reduced. By adapting the fan-and-filter speed to match the temperature using a controller, noise generation is reduced.

Also with EMC shielding

All fan-and-filter units and outlet filters are alternatively available with EMC shielding. The required conductive connection is achieved via a metallic coating on the fan-and-filter unit housing and a special sealing frame.

Hose-proof

Particularly for applications in the food industry, the hose-proof hood prevents the ingress of damp. The protection category of IP 56 is achieved in conjunction with filter mats.

Benefits:

- Air throughput from 20 m³/h to 700 m³/h
- Super-fast assembly
- IP 54 as standard
- Air flow direction may be reversed from draw-in (default setting) to extracting
- All fans also available with EMC shielding
- Minimal installation depth
- Fan also bayable

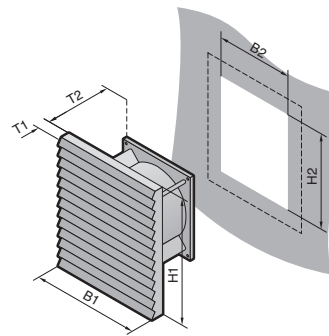
Important:

- The prescribed heat loss and the maximum anticipated ambient temperature define the required volumetric flow
- Always use the fan-and-filter units and outlet filters together

Calculation formulae refer to website:
www.rittal.com

Fan-and-filter units

Air throughput 20/55 m³/h



B = Width
T = Depth

Supply includes:
Fan-and-filter units ready for installation, including filter mats.

German registered design no. M 93 04 846

Approvals,
see page 85.

Performance diagrams,
available on the Internet.

Model No. fan-and-filter unit SK	3321.107	3321.117	3321.027	3321.047 ¹⁾	3322.107	3322.117	3322.027	3322.047 ¹⁾
Rated operating voltage V, Hz	230, 50/60	115, 50/60	24 (DC)	48 (DC)	230, 50/60	115, 50/60	24 (DC)	48 (DC)
Dimensions in mm	B1/H1	116.5			148.5			
	B2/H2	92 + 0.8 ²⁾			124 ²⁾			
	T1	10			10.5			
Max. installation depth mm	T2	42			57			
Air throughput, unimpeded air flow	20/25 m³/h		20 m³/h		55/66 m³/h		55 m³/h	
Air throughput with outlet filter including standard filter mat	1 x SK 3321.207: 15/18 m³/h				1 x SK 3322.207: 43/50 m³/h			

Axial fan	Self-starting shaded pole motor		DC motor		Self-starting shaded pole motor		DC motor	
Rated current max.	69 mA 58 mA	138 mA 115 mA	125 mA	90 mA	0.12 A 0.11 A	0.24 A 0.23 A	0.35 A	90 mA
Power	12.5 W/10.3 W		3.0 W	4.1 W	19.0 W/18.0 W		7.7 W	4.4 W
Noise level	41/46 dB (A)		41 dB (A)		46/49 dB (A)		46 dB (A)	
Temperature range	-10°C to +55°C							
Colour	RAL 7035 ³⁾							
Protection category to EN 60 529/09.2000	IP 54 standard IP 56 when using a hose-proof hood							

Model No. outlet filter SK	3321.207	3322.207								
Accessories	Packs of								Page	
Spare filter mats	5	3321.700						3322.700	725	
Thermostat	1	3110.000							715	
Temperature indicator	1	3114.100	3114.115	3114.024	-	3114.100	3114.115	3114.024	-	714
Speed control	1	3120.000	3120.115	-	-	3120.000	3120.115	-	-	716
Hose-proof hood	1	3321.800						3322.800	721	

¹⁾ Delivery times on request.

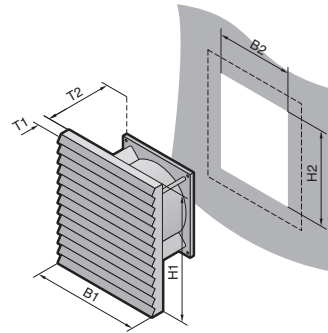
²⁾ For metal thickness > 2.5 mm the cut-out B2/H2 must be 1 mm larger.

³⁾ RAL 7032 on request.

Special voltages available on request. We reserve the right to make technical modifications.

Fan-and-filter units

Air throughput 105/180 m³/h



B = Width
T = Depth

Supply includes:
Fan-and-filter units ready for installation, including filter mats.

German registered design no. M 93 04 846

Approvals,
see page 85.

Performance diagrams,
available on the Internet.

Model No. fan-and-filter unit SK	3323.107	3323.117	3323.027	3323.047 ¹⁾	3324.107	3324.117	3324.027	3324.047 ¹⁾
Rated operating voltage V, Hz	230, 50/60	115, 50/60	24 (DC)	48 (DC)	230, 50/60	115, 50/60	24 (DC)	48 (DC)
Dimensions in mm	B1/H1	204			255			
	B2/H2	177 ²⁾			224 ²⁾			
	T1	12.5			12.5			
Max. installation depth mm	T2			82.5				105
Air throughput, unimpeded air flow	105/120 m³/h		105 m³/h		180/160 m³/h		180 m³/h	
Air throughput with outlet filter including standard filter mat	1 x SK 3323.207: 71/82 m³/h 2 x SK 3323.207: 85/98 m³/h 1 x SK 3325.207: 78/90 m³/h				1 x SK 3325.207: 115/95 m³/h 2 x SK 3325.207: 165/140 m³/h 1 x SK 3326.207: 155/130 m³/h			

Axial fan	Self-starting shaded pole motor		DC motor		Self-starting shaded pole motor		DC motor	
Rated current max.	0.12 A 0.11 A	0.24 A 0.23 A	0.35 A	90 mA	0.19 A 0.20 A	0.38 A 0.40 A	0.3 A	0.34 A
Power	19.0 W/18.0 W		8.0 W	4.3 W	30.0 W/35.0 W		7.2 W	14.0 W
Noise level	46/49 dB (A)		46 dB (A)		52/48 dB (A)		52 dB (A)	
Temperature range	-10°C to +55°C							
Colour	RAL 7035 ³⁾							
Protection category to EN 60 529/09.2000	IP 54 standard IP 55 when using an additional fine filter mat IP 56 when using an additional fine filter mat and hose-proof hood							

Model No. outlet filter SK	3323.207				3325.207					
Accessories	Packs of								Page	
Spare filter mats	5	3171.100				3172.100				725
Fine filter mats	5	3181.100				3182.100				725
Thermostat	1	3110.000								715
Temperature indicator	1	3114.100	3114.115	3114.024	-	3114.100	3114.115	3114.024	-	714
Speed control	1	3120.000	3120.115	-	-	3120.000	3120.115	-	-	716
Hose-proof hood	1	3323.800				3324.800				721

¹⁾ Delivery times available on request.

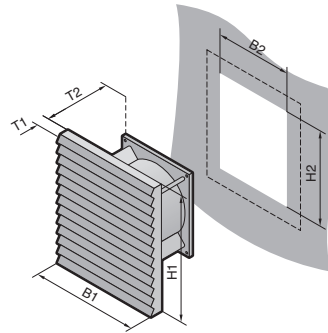
²⁾ For metal thickness > 2.5 mm, the cut-out B2/H2 must be 1 mm larger.

³⁾ RAL 7032 on request.

Special voltages available on request. We reserve the right to make technical modifications.

Fan-and-filter units

Air throughput 230 m³/h



B = Width
T = Depth

Supply includes:
Fan-and-filter units ready for installation, including filter mats.

German registered design no. M 93 04 846

Approvals,
see page 85.

Performance diagrams,
available on the Internet.

B
4.3

Fan-and-filter units

Model No. fan-and-filter unit SK	3325.107	3325.117	3325.027	3325.047 ¹⁾
Rated operating voltage V, Hz	230, 50/60	115, 50/60	24 (DC)	48 (DC)
Dimensions in mm	B1/H1	255		
	B2/H2	224 ²⁾		
	T1	12.5		
Max. installation depth mm	T2	105		
Air throughput, unimpeded air flow	230/265 m³/h		230 m³/h	
Air throughput with outlet filter including standard filter mat	1 x SK 3325.207: 170/205 m³/h 2 x SK 3325.207: 200/230 m³/h 1 x SK 3326.207: 190/215 m³/h			

Axial fan	Self-starting shaded pole motor		DC motor	
Rated current max.	0.28 A 0.24 A	0.53 A 0.49 A	0.59 A	0.31 A
Power	41.0 W/38.0 W		14.0 W	15.0 W
Noise level	54/56 dB (A)		54 dB (A)	
Temperature range	-10°C to +55°C			
Colour	RAL 7035 ³⁾			
Protection category to EN 60 529/09.2000	IP 54 standard IP 55 when using an additional fine filter mat IP 56 when using an additional fine filter mat and hose-proof hood			

Model No. outlet filter SK	3325.207					
Accessories	Packs of			Page		
Spare filter mats	5	3172.100		725		
Fine filter mats	5	3182.100		725		
Thermostat	1	3110.000		715		
Temperature indicator	1	3114.100	3114.115	3114.024	-	714
Speed control	1	3120.000	3120.115	-	-	716
Hose-proof hood	1	3324.800		721		

¹⁾ Delivery times available on request.

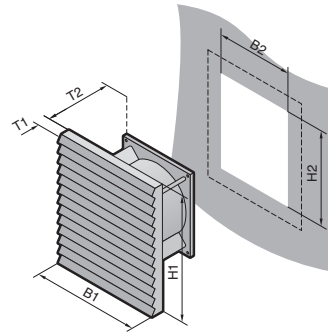
²⁾ For metal thickness > 2.5 mm, the cut-out B2/H2 must be 1 mm larger.

³⁾ RAL 7032 on request.

Special voltages available on request. We reserve the right to make technical modifications.

Fan-and-filter units

Air throughput 550/700 m³/h



B = Width
T = Depth

Supply includes:
Fan-and-filter units ready for installation, including filter mats.

German registered design no. M 93 04 846

Approvals,
see page 85.

Performance diagrams,
available on the Internet.

Model No. fan-and-filter unit SK	3326.107	3326.117	3327.107	3327.117	3327.147
Rated operating voltage V, Hz	230, 50/60	115, 50/60	230, 50/60	115, 50/60	400/460, 3~, 50/60
Dimensions in mm	B1/H1	323			
	B2/H2	292 ¹⁾			
	T1	12.5			
Max. installation depth mm	T2	129		145	
Air throughput, unimpeded air flow	550/600 m³/h		700/720 m³/h		
Air throughput with outlet filter including standard filter mat	1 x SK 3326.207: 360/390 m³/h 2 x SK 3326.207: 440/495 m³/h		1 x SK 3326.207: 525/575 m³/h		

Axial fan	Capacitor motor			Rotary current motor	
Rated current max.	0.29 A 0.35 A	0.58 A 0.70 A	0.65 A 0.95 A	1.5 A 2.0 A	0.27 A 0.37 A
Power	64.0 W/80.0 W		115.0 W/212.0 W	167.0 W/230.0 W	146.0 W/220.0 W
Noise level	59/61 dB (A)		75/76 dB (A)		
Temperature range	-10°C to +55°C				
Colour	RAL 7035 ²⁾				
Protection category to EN 60 529/09.2000	IP 54 standard IP 55 when using an additional fine filter mat IP 56 when using an additional fine filter mat and hose-proof hood				

Model No. outlet filter SK	3326.207					
Accessories	Packs of					Page
Spare filter mats	5	3173.100	3327.700			725
Fine filter mats	5	3183.100				725
Thermostat	1	3110.000			-	715
Temperature indicator	1	3114.100	3114.115	3114.100	3114.115	714
Speed control	1	3120.000	3120.115	3120.000	-	716
Hose-proof hood	1	3326.800				721

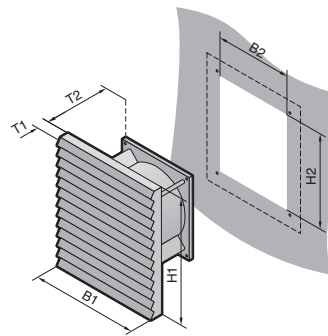
¹⁾ For metal thickness > 2.5 mm, the cut-out B2/H2 must be 1 mm larger.

²⁾ RAL 7032 on request.

Special voltages available on request. We reserve the right to make technical modifications.

Fan-and-filter units – EMC

Air throughput 20 – 105 m³/h



B = Width
T = Depth

Supply includes:
Complete fan-and-filter units ready for installation, including drilling template, filter mat and assembly parts.

Approvals,
see page 86.

Performance diagrams,
available on the Internet.

Model No. fan-and-filter unit SK	3321.607	3321.617 ¹⁾	3322.607	3322.617 ¹⁾	3323.607	3323.617 ¹⁾
Rated operating voltage V, Hz	230, 50/60	115, 50/60	230, 50/60	115, 50/60	230, 50/60	115, 50/60
Dimensions in mm	B1/H1	116,5	148,5		204	
	B2/H2	92 + 0.8 ²⁾	124 ²⁾		177 ²⁾	
	T1	10	10.5		12.5	
Max. installation depth mm	T2	42	57		82.5	
Air throughput, unimpeded air flow	20/25 m³/h		55/66 m³/h		105/120 m³/h	
Air throughput with outlet filter including standard filter mat	1 x 3321.267: 15/18 m³/h		1 x 3322.267: 43/50 m³/h 2 x 3322.267: 48/55 m³/h 1 x 3323.267: 48/55 m³/h		1 x 3323.267: 71/82 m³/h 2 x 3323.267: 85/98 m³/h 1 x 3325.267: 78/90 m³/h	

Axial fan	Self-starting shaded pole motor					
Rated current max.	69 mA/ 58 mA	138 mA/ 115 mA	0.12 A/ 0.11 A	0.24 A/ 0.23 A	0.12 A/ 0.11 A	0.24 A/ 0.23 A
Power	12.5 W/10.3 W		19.0 W/18.0 W			
Noise level	41/46 dB (A)		46/49 dB (A)			
Temperature range	-10°C to +55°C					
Colour	RAL 7035 ³⁾					
Protection category to EN 60 529/09.2000	IP 54 standard					

Model No. outlet filter – EMC SK	3321.267	3322.267	3323.267			
Accessories	Packs of			Page		
Spare filter mats	5	3321.700	3322.700	3171.100	725	
Fine filter mats	5	–	–	3181.100	725	
Thermostat	1	3110.000			715	
Temperature indicator	1	3114.100	3114.115	3114.100	3114.115	714
Speed control	1	3120.000	3120.115	3120.000	3120.115	716
Hose-proof hood	1	3321.800		3322.800	3323.800	721

¹⁾ Delivery times available on request.

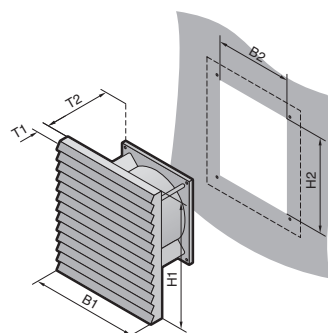
²⁾ For metal thickness > 2.5 mm, the cut-out B2/H2 must be 1 mm larger.

³⁾ RAL 7032 on request.

Special voltages available on request. We reserve the right to make technical modifications.

Fan-and-filter units – EMC

Air throughput 180 – 700 m³/h



B = Width
T = Depth

Supply includes:
Complete fan-and-filter units ready for installation, including drilling template, filter mat and assembly parts.

Approvals,
see page 86.

Performance diagrams,
available on the Internet.

Model No. fan-and-filter unit SK	3324.607	3324.617 ¹⁾	3325.607	3325.617	3326.607	3326.617 ¹⁾	3327.607	3327.617 ¹⁾	
Rated operating voltage V, Hz	230, 50/60	115, 50/60	230, 50/60	115, 50/60	230, 50/60	115, 50/60	230, 50/60	115, 50/60	
Dimensions in mm	B1/H1	255				323			
	B2/H2	224 ²⁾				292 ²⁾			
	T1	12.5				12.5			
Max. installation depth mm	T2				129		145		
Air throughput, unimpeded air flow	180/160 m³/h		230/265 m³/h		550/600 m³/h		700/720 m³/h		
Air throughput with outlet filter including standard filter mat	1 x 3325.267: 115/95 m³/h 2 x 3325.267: 165/140 m³/h 1 x 3326.267: 155/130 m³/h		1 x 3325.267: 170/205 m³/h 2 x 3325.267: 200/230 m³/h 1 x 3326.267: 190/215 m³/h		1 x 3325.267: 170/205 m³/h 2 x 3325.267: 200/230 m³/h 1 x 3326.267: 360/390 m³/h		1 x 3326.267: 525/575 m³/h		

Axial fan	Self-starting shaded pole motor				Capacitor motor			
Rated current max.	0.19 A/ 0.20 A	0.38 A/ 0.40 A	0.28 A/ 0.24 A	0.53 A/ 0.49 A	0.29 A/ 0.35 A	0.58 A/ 0.70 A	0.65 A/ 0.95 A	1.50 A/ 2.00 A
Power	30.0 W/ 35.0 W		41.0 W/ 38.0 W		64.0 W/ 80.0 W		155.0 W/ 212.0 W 167.0 W/ 230.0 W	
Noise level	52/48 dB (A)		54/56 dB (A)		59/61 dB (A)		75/76 dB (A)	
Temperature range	-10°C to +55°C							
Colour	RAL 7035 ³⁾							
Protection category to EN 60 529/09.2000	IP 54 standard							

Model No. outlet filter – EMC SK	3325.267				3326.267					
Accessories	Packs of								Page	
Spare filter mats	5	3172.100				3173.100		3327.700		725
Fine filter mats	5	3182.100				3183.100				725
Thermostat	1	3110.000								715
Temperature indicator	1	3114.100	3114.115	3114.100	3114.115	3114.100	3114.115	3114.100	3114.115	714
Speed control	1	3120.000	3120.115	3120.000	3120.115	3120.000	3120.115	3120.000	3120.115	716
Hose-proof hood	1	3324.800				3326.800				721

¹⁾ Delivery times available on request.

²⁾ For metal thickness > 2.5 mm, the cut-out B2/H2 must be 1 mm larger.

³⁾ RAL 7032 on request.

Special voltages available on request. We reserve the right to make technical modifications.